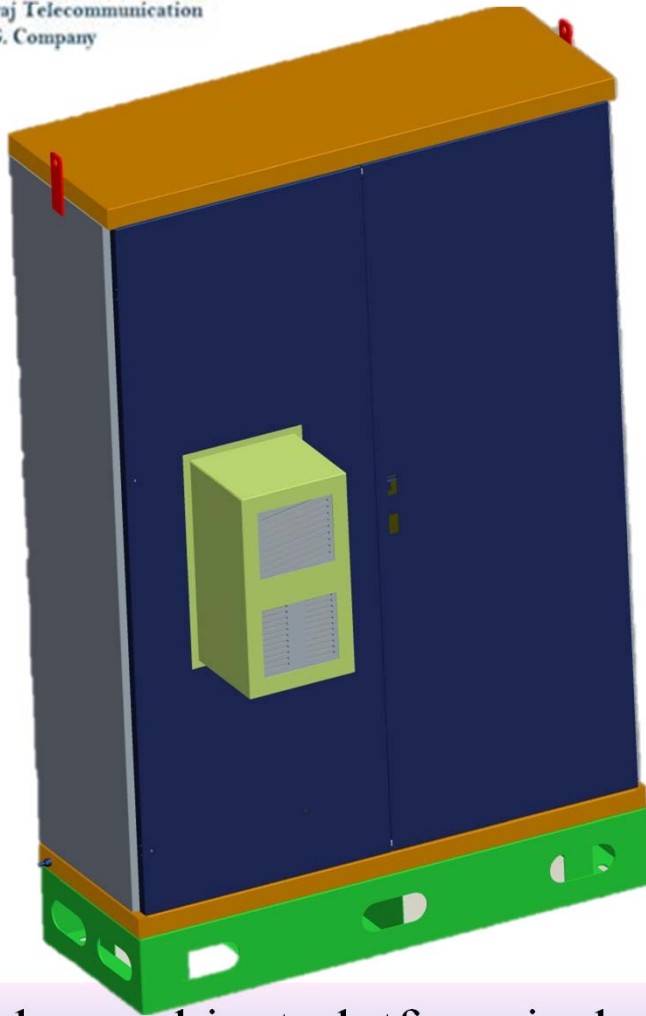


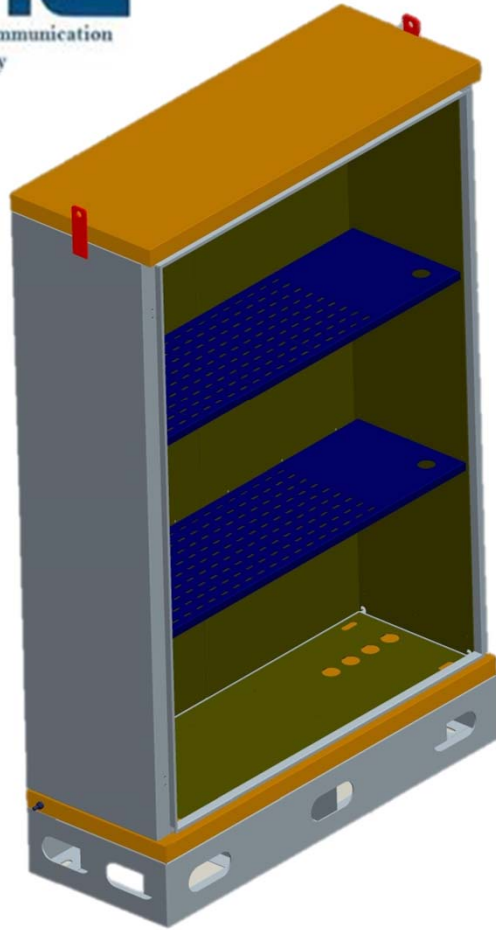
OUT DOOR CABINET



The Outdoor cabinet platform is designed for a variety of applications and can be tailored to fit your specific needs.

The cabinet is well suited for power, batteries and telecom / Security equipment, all integrated into a robust package.

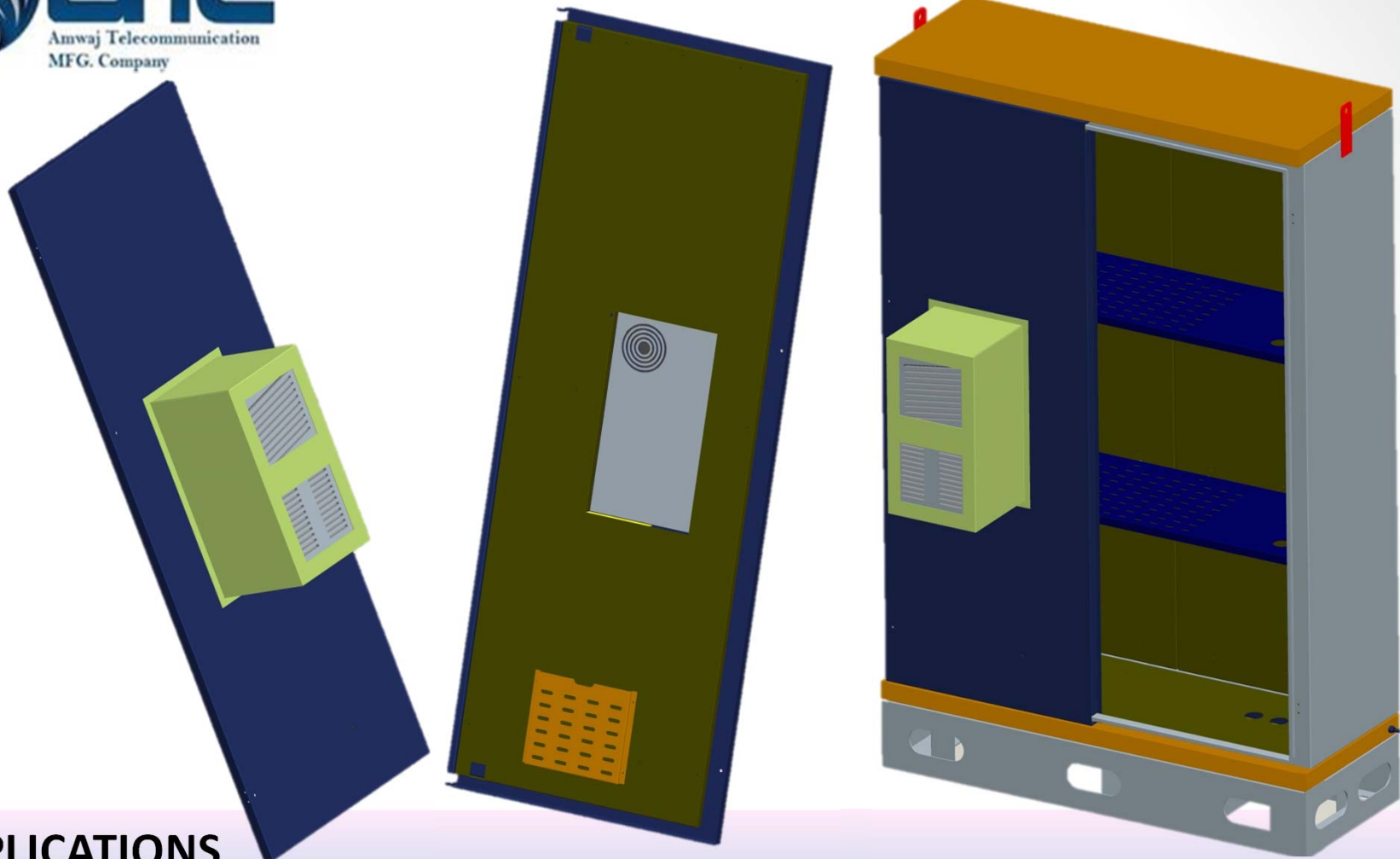
OUT DOOR CABINET



RELIABILITY:-

Reliability within the outdoor plant depends upon a cool, dry and secure environment, for electronics such as the DC power, Telecom and Security equipment. This Outdoor Cabinet is more than accomplish with a variety of Thermal Management solutions, that will keep sensitive electronics functioning in the most extreme environment conditions.

OUT DOOR CABINET



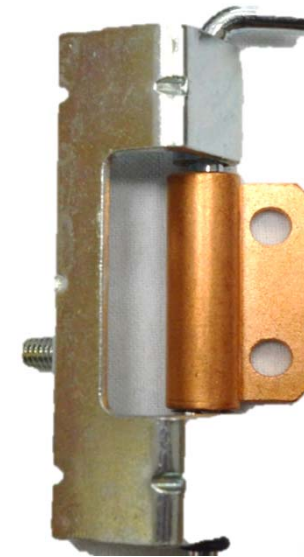
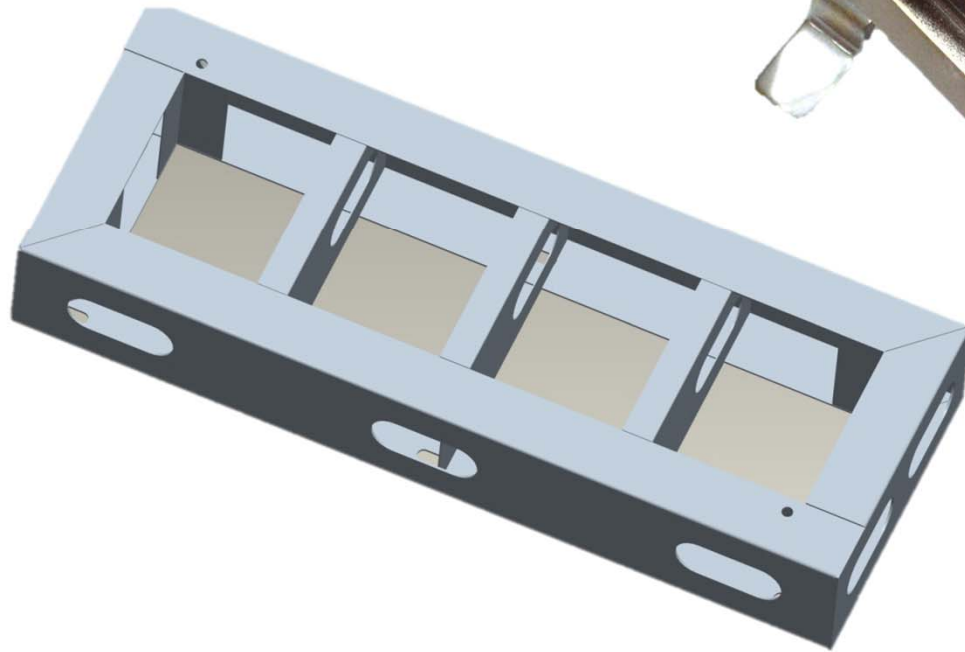
APPLICATIONS

Outdoor cabinet is well suited for a wide range of Telecom and Security applications such as:

- Distributed Virtual Reality
- Optical Networks
- Security Management

The cabinet works very well as a standalone power / battery backup solution and provides additional space for telecom / Security equipment. In addition the outdoor enclosure is suited for Industrial environments.

OUT DOOR CABINET

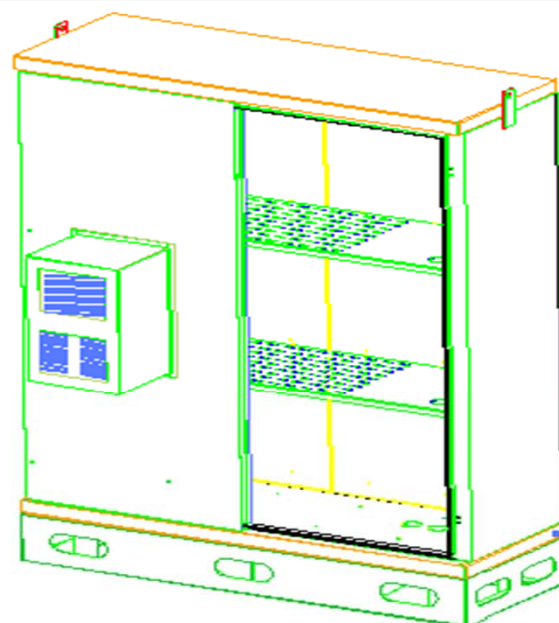
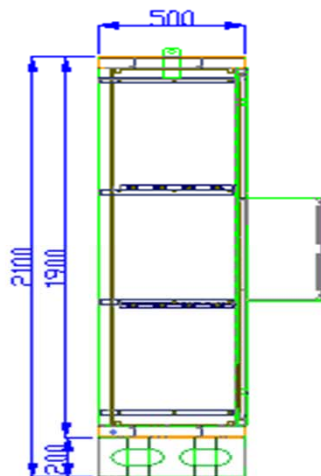
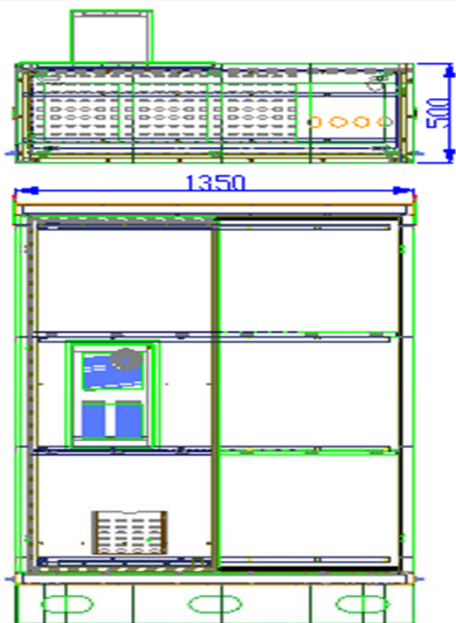



KEY FEATURES AND OPTIONS:

- Air Conditioner ==> 586W at 50-60Hz
- Aluminum plated Rock Wool Insulation
- Door Stop / Door Stay ==> Wind latch to hold door during maintenance (120o)
- Floor standing, Concrete fixed base
- Locking mechanism ==> Three point latch, with optional euro lock cylinder
- DC POWER, TELECOM / SECURITY EQUIPMENT AND BATTERY BACKUP
- Gasket ==> UL rated for outdoor use
- Easy Installation and Easy Maintenance
- Fully welded steel structure
- IP65

OUT DOOR CABINET

DD_CAB_1350X2100X500 THIS DRAWING AND DESIGN IS THE PROPERTY OF AMWAJ TELECOMMUNICATION MFG. CO. AND MUST NOT BE COPIED OR LENT WITHOUT THEIR PERMISSION IN WRITING ALL DIMENSIONS ARE IN MM



DO NOT SCALE THE DRG ASK, WHEN IN DOUBT ?		AMWAJ TELECOMMUNICATION MFG. CO.				P.O. BOX 525934 RITAJAH 11371 TEL: 23446615 FAX: 01-23446612	
DESIGNED BY: EST -05 AGP CHECKED BY: EST -05 AGP DATE: 2007-06-21	SCALE: 1:1		PART NO. XXX	DD_CAB_1350X2100X500		Rev. Data	REV.
DESIGNED BY: EST -05 AGP CHECKED BY: EST -05 AGP DATE: 2007-06-21	DATE: 1/12/2008	DESIGNED BY: EST -05 AGP CHECKED BY: EST -05 AGP DATE: 2007-06-21	MATERIAL: SI	ASSEMBLY		Rev. Data	REV.
DESIGNED BY: EST -05 AGP CHECKED BY: EST -05 AGP DATE: 2007-06-21	DATE: 1/12/2008	DESIGNED BY: EST -05 AGP CHECKED BY: EST -05 AGP DATE: 2007-06-21	TOLERANCE: EXPOSED	Note:		Rev. Data	REV.
DESIGNED BY: EST -05 AGP CHECKED BY: EST -05 AGP DATE: 2007-06-21	DATE: 1/12/2008	DESIGNED BY: EST -05 AGP CHECKED BY: EST -05 AGP DATE: 2007-06-21	QUANTITY: 0	Note:		Rev. Data	REV.
ISO REF. NO. QT-0d-01-1							

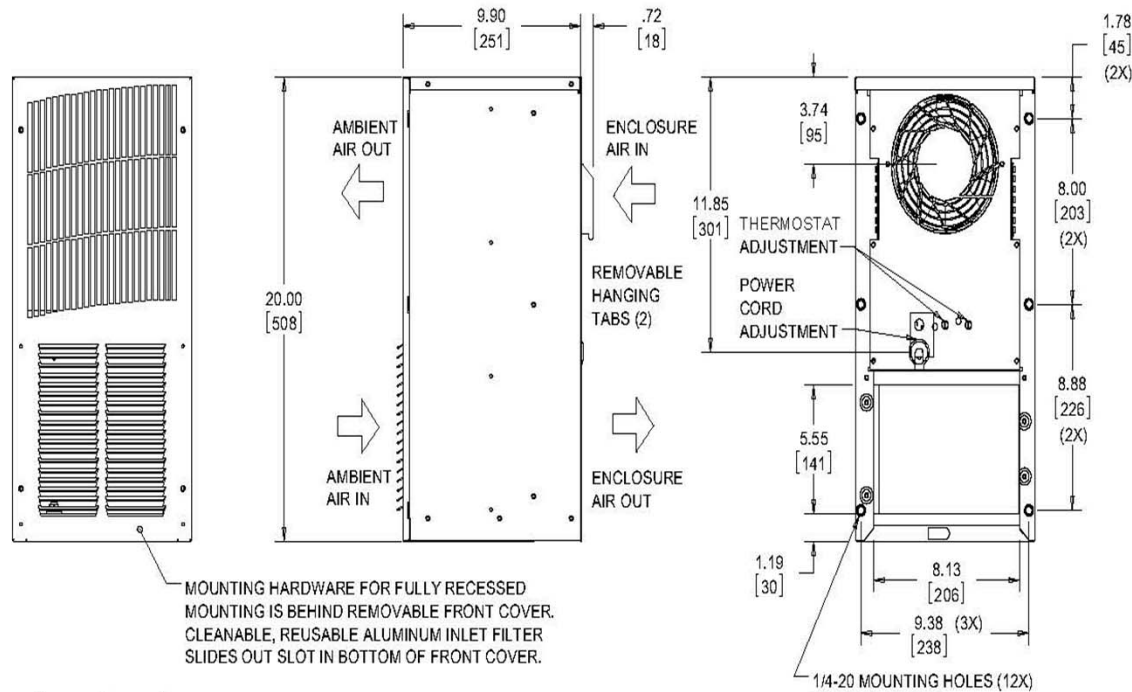
CONSTRUCTION & PHYSICAL SPECIFICATIONS:

- Cabinet Width in mm =====> 1350 . Cabinet Height in mm =====> 2100 . Cabinet Depth in mm =====> 500
- Frame Material =====> 2.0mm GI Steel Sheet Sabcic Standard
- Powder-Coat Paint =====> light gray RAL 7035 coating
- Insulation =====> Rock wool with both side aluminum plated
- Rail mounting Pattern =====> EIA Standard with holes for Cage nuts (Optional)

OUT DOOR CABINET



T20
2000 BTU/Hr.
586 Watts



MOUNTING HARDWARE FOR FULLY RECESSED MOUNTING IS BEHIND REMOVABLE FRONT COVER. CLEANABLE, REUSABLE ALUMINUM INLET FILTER SLIDES OUT SLOT IN BOTTOM OF FRONT COVER.

mshahed@amwajfactory.com

Info@amwajfactory.com

Tel:- 011-4009204

Al Mannakh Industrial Area Riyadh

AMWJA TELECOMMUNICATION FACTORY

AIR CONDITIONING UNIT SPECIFICATIONS AND OPTIONS:

- Power Supply ===== 230VAC 50Hz/60Hz
- Max Power Consumption =====> 805W
- Net Weight =====> 25Kg
- Dimensions =====> (mm, HxWxD) 508X254X251
- Surface Treatment =====> Powder Coated RAL 7035
- Cooling Capacity =====> 586W
- Sound Level=====> 66 dBA @ 1.5m
- Refrigerant =====> R134A